

## THANK YOU

---

**Congratulations on your recent purchase!** We at Diamond know that you have a choice when it comes to your archery equipment, and we want to thank you for choosing us as your hunting partner. Your feedback is important to us, as it is our desire to provide you with the absolute finest products and customer service in the industry. Please take the time to go online and register your new Diamond bow. It is equally important to read through this owner's manual as there are valuable tips to help keep your Diamond trouble free for many seasons.

We encourage you to contact and utilize your local dealer as they can assist you with purchases, services and accessories. To locate the dealer nearest you, visit [Diamondarchery.com](http://Diamondarchery.com) and click on the "Dealer Locator" button. Frequently asked questions and additional contact information can also be found at [Diamondarchery.com](http://Diamondarchery.com).

### WARNING!

**BEFORE USING YOUR NEW BOW, READ AND UNDERSTAND THE FOLLOWING MATERIAL OUTLINED IN THIS MANUAL. FAILURE TO FOLLOW ANY OF THESE WARNINGS AND INSTRUCTIONS CAN DAMAGE THE BOW AND MAY CAUSE SERIOUS INJURY, OR DEATH, TO YOURSELF AND/OR OTHERS. ALWAYS WEAR SAFETY GLASSES WHEN OPERATING OR ADJUSTING YOUR BOW.**

**NEVER DRY FIRE THE BOW. A DRY FIRE IS WHEN YOU RELEASE THE BOWSTRING WITHOUT AN ARROW OR WITHOUT A PROPERLY SEATED ARROW. DOING SO MAY RESULT IN SERIOUS INJURY OR DEATH, OR DAMAGE TO THE BOW.**

### YOUR SAFETY RESPONSIBILITIES

---

Your new Diamond bow is a highly tuned, precise shooting machine. It requires special care and handling to achieve and maintain peak performance. The string, cables and limbs are under extreme tension, which creates an incredible source of energy that must not be taken for granted. Please respect this power and use it properly.

Diamond bows are standardized to fit most manufacturers' accessories and will perform best when shot with a release.

**ADULT SUPERVISION OF ALL CHILDREN UNDER THE AGE OF 18 IS REQUIRED.** Diamond has designed your bow to be a safe and fun product. However, as with any shooting style product, safety rules must be observed. It is **HIGHLY** recommended that these rules be read before using any bow.

Bows and arrows are **NOT** toys. For maximum safety and enjoyment, always exercise caution and common sense when shooting any bow.

**ALWAYS** use an appropriate backstop for maximum safety. An appropriate backstop must be constructed of a durable material and must extend beyond the perimeter of the target. The recommended backstop size is determined by the accuracy and ability of the shooter. With a low level of shooter accuracy, the backstop perimeter requirement must be increased appropriately.

**ALWAYS** check all arrow components prior to shooting, including nock, insert and tip. Loose components can cause unbalanced arrow flight and partial dry firing of the bow. If an arrow has been damaged, or if you believe it has been damaged, do not shoot it again, as it could break on release, and sharp arrow pieces could strike and injure you or someone nearby.

**NEVER** touch the cams or cables. If the bow "locks up" or you are unable to pull back the bowstring, never touch the cams or cables. Bring the bow to an authorized dealer for inspection.

**ALWAYS** wear safety glasses when handling/shooting the bow.

**Any alteration from the factory specifications or the adjustments outlined herein will void the factory warranty. ALL maintenance must be performed at an Authorized Diamond Dealer.**

**NEVER** retrieve arrows or allow anyone else to do so until all arrows have been shot.

**NEVER** draw the bow without properly adjusted limb bolts (see "Adjusting Draw Weight" section for more information). Make sure the string and cables are properly attached to the correct post and in the correct tracks in order to avoid possible injury.

**DO NOT** attach anything to the cables or string that could create excessive wear or slice the string material. This will void the warranty.

**DO NOT** cross cables in any configuration other than the configuration set by the factory. This will have an adverse effect on the performance and shootability of your bow. Further, it may cause extreme wear to the string, cable, and cable-slide/roller guard.

**ALWAYS** inspect your bow before each use. Before you handle or shoot your bow, inspect the condition of the entire bow and all components (including strings, cables, spacers, limbs, and nocks), and accessories to ensure they are in good and proper working condition. If anything looks damaged or there are any concerns, do not use the bow and take it to be inspected by an authorized dealer.

**NEVER** draw or shoot a bow with damaged, frayed, or worn string or cables because they could break causing serious injury or death.

**UNDERSTAND PROPER BOW USE.** Before you handle or shoot your bow, it is recommended that you be trained in proper and safe use by a certified archery coach or instructor. There are local and national sources for this information, including local dealers. Online sources for certified coaches or instructional programs include USA Archery (<https://www.usarchery.org/coaches/find-a-coach>) and the Archery Trade Association ([www.archery360.com](http://www.archery360.com)).

## QUALITY

Every Diamond bow has undergone a comprehensive quality control process and is built from the highest quality components available.

## TUNING AND PROPER FIT

The Diamond Edge XT is preset to factory specifications of 26 inches draw length. You may need to adjust your bow to match your draw length. Any other alterations to the factory setup will likely inhibit performance.

## CHANGING DRAW LENGTH

It is very important that your Diamond bow is adjusted to fit you properly. Assistance in achieving a proper fit should be provided by your Authorized Diamond Dealer.

The draw length for Diamond bows can be adjusted without draw length specific modules. The Rotating Mod System makes this feature possible. By simply rotating the module clockwise or counterclockwise, your draw length can be adjusted, typically in 1/2 inch increments. (See Figure 1)

1. Diamond recommends that you take your bow to your Authorized Diamond Dealer for adjustment to your bow's draw length.
2. For draw length adjustments to the Edge XT, use a 3/32 inch hex wrench to remove the module screws that attach the modules to the cams.
3. Notice the numbered indexing mark on the module and the indexing mark on the cam. All bows are factory preset to a 26 inch draw length; with the indexing marks aligned for this draw length setting.

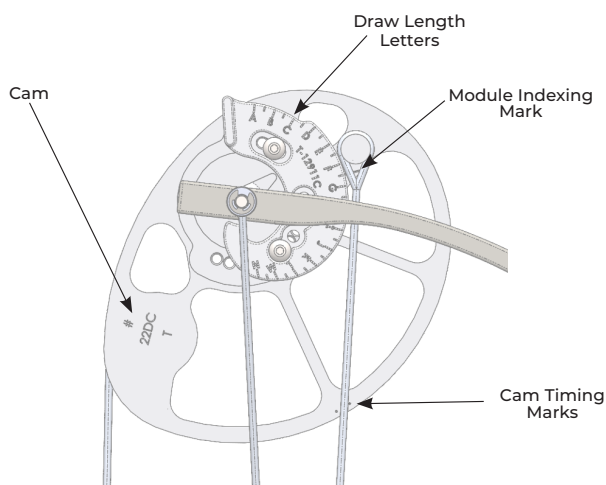


Figure 1 - Diamond Edge XT draw length adjustment

## CUSTOMER SERVICE

Diamond's Customer Service will prove, not only, that our products are innovative and industry leading, but that our service is one of a kind. Do not hesitate to call us at 888-689-1289 or email at info@Diamondarchery.com if you have any questions on our products or warranty process.

The numbered mark corresponds to a draw length setting as specified in **Table 1**.

4. To lengthen the draw length, rotate the module so that the indexing mark on the cam is aligned with a higher numbered indexing mark on the module.
5. To shorten the draw length, rotate the module so that the indexing mark on the cam is aligned with a lower numbered indexing mark on the module.
6. Replace both module screws on each cam and retighten. **We recommend applying blue Loctite 242 to the threads before replacing them at your desired setting.** This will prevent the screws from loosening during normal use of the bow.

The Diamond Edge XT has the ability to be adjusted from 31 inches of draw length down to 19 inches of draw length.

Mod Position	Draw Length	MAX Draw Weight (lbs.)	MIN Draw Weight (lbs.)
A	31.5	73	44
-	31	72	43
B	30.5	72	42
-	30	71	41
C	29.5	71	40
-	29	70	39
D	28.5	70	38
-	28	69	37
E	27.5	68	36
-	27	67	35
F	26.5	66	34
-	26	64	33
G	25.5	63	32
-	25	61	31

Mod Position	Draw Length	MAX Draw Weight (lbs.)	MIN Draw Weight (lbs.)
H	24.5	60	29
-	24	58	28
I	23.5	57	27
-	23	55	26
J	22.5	53	25
-	22	51	24
K	21.5	50	23
-	21	48	22
L	20.5	47	21
-	20	46	20
M	19.5	46	20
-	19	46	20
N	18.5	46	20

\* Draw Lengths & Draw Weights are approximate.

Table 1 - Edge XT Mod Settings

## THE INFINITY/BOWFISHING SETTING

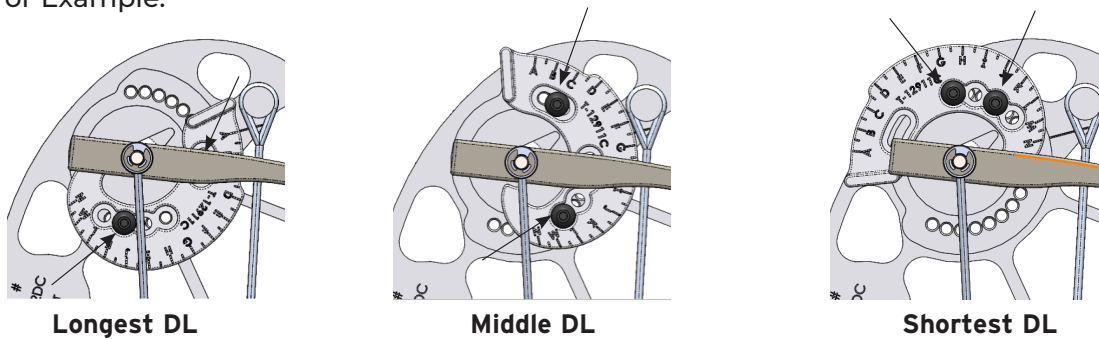
Additionally, the Edge XT comes with a special setting called the Infinity setting. It is a setting for which the bow has zero let-off. In other words, the bow will maintain most of its peak holding weight for the entirety of the draw cycle. This setting is popular when more than one person may use the bow but have different draw lengths associated with them as its setting is for a maximum of

31 inches with no minimum. With the infinity setting, the bow will allow the users to draw the bow back to their comfortable draw lengths and not require the bow to be readjusted via module re-positioning. This setting is also popular when bowfishing. The module is simply adjusted to align its infinity sign with the module indexing mark on both the top and bottom cams (See Figure 1).

### WARNING - MODULE SCREW POSITION

When changing the draw length, ensure module screws are placed in the furthest available holes nearest each end of the module. This can vary based on draw length setting. Note, that in some settings, like the Infinity setting, one of the module screw holes falls under the limb. It is recommended that an authorized dealer adjust to this setting, as a bow press is needed.

For Example:



For a how-to video, go to [https://youtu.be/3IBPcAWLM\\_4](https://youtu.be/3IBPcAWLM_4) or scan the QR Code below.



## CAM TIMING

There are small indentations or “timing marks” on the module-side of the cam near its perimeter. When viewing the bow directly from the module side of the cam, the cable should be approximately centered in between the timing marks shown in Figure 1.

Both the top and bottom cams should be timed properly so that the cams complete their rotation simultaneously. It is recommended that your Authorized Diamond dealer should aid you in performing all timing adjustments.

## SETTING THE DRAW WEIGHT

Draw weight on the Diamond Edge XT is adjustable from 70 pounds downward to 20 pounds. Draw weight can be adjusted by using a 3/16 inch hex wrench to either tighten or loosen the limb bolt. The draw weight should be adjusted equally on top and bottom limb bolt.

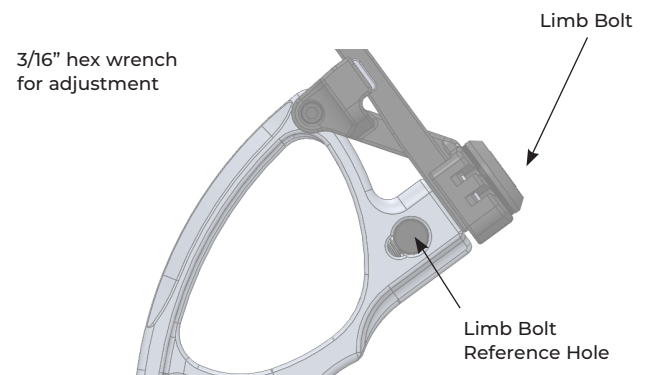
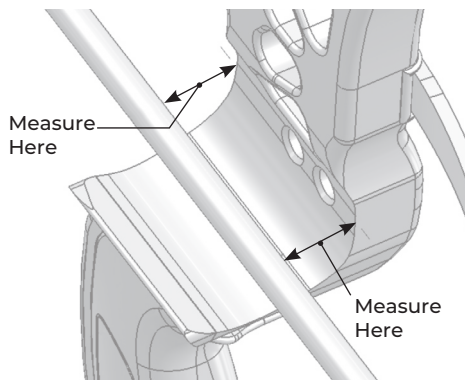


Figure 2. Draw Weight Adjustment

## SETTING CENTER SHOT

---



**Figure 3:  
Determining  
Center Shot**

Center shot can be set by measuring from the back of the riser to the arrow and then from the front of the riser to the arrow. Once this is equal, you are at the approximate center shot of your bow (see Figure 3). This is a good starting point when tuning your Diamond bow. Keep in mind, not all bows tune at exact center shot due to the variances in arrow spine, hand position, and your specific bow poundage. Adjust your arrow rest until the two measurements are equal.

## BOW MAINTENANCE

---

Your Diamond bow was made with the highest quality components to last for a lifetime of use in the field with proper maintenance. It is important that you **NEVER** draw and release a bow without an arrow on the string. This could not only hurt you, but can damage your bow. If the bow is dry fired at any time, take it to your local dealer for a complete inspection. **NEVER** leave your Diamond bow in an area of extreme temperatures. This could cause your string and cables to stretch which effects timing.

Before shooting your bow, **ALWAYS** inspect the string and cables and check the limbs for any visible damage. If damage is found, take the bow to your local Diamond dealer for inspection or repair.

Your Diamond bow comes equipped with sealed bearings in both cams. There is no need to lubricate cams.

## LIMITED LIFETIME WARRANTY

---

Sign up for the limited lifetime warranty at:

**REGISTRYOURBOW.COM**

For the warranty to be enforceable the original purchaser must complete and submit the online registration form within 30 days of purchase.

All Diamond bows come with a non-transferable limited lifetime warranty to the registered original owner against defects in material or workmanship, that occur under normal use. This limited warranty does not include any damage due to abuse, misuse or modification to the bow's design. This limited warranty extends only to the first purchaser, and is subject to the following terms, conditions, and limitations.

## WARRANTY SERVICE

Since you are our greatest asset, we want to give you the highest quality and most efficient service possible. There are two ways you can request warranty repairs for your Diamond products.

Option 1: Contact our Customer Service Team at 888-689-1289 to work directly with a representative that will help you determine the best way to repair your product.

Option 2: Contact your nearest authorized dealer for your warranty repair. They will facilitate the inspection and diagnosis of any problem.

## STRINGS & CABLES

---

Your Diamond bowstring is manufactured to provide long string life and absolute consistency, shot after shot. This results in greater accuracy and less time spent re-tuning your equipment.

It is recommended that you cycle the bow 10-20 times to settle the string as a result of relaxation during packaging and shipping.

**Wax the string often.** We recommend BCYML 6 synthetic string wax or an equivalent product. To wax the string, apply wax liberally to entire length of string. Rub briskly with fingers until the string appears slick. Remove all excess wax with a clean cloth. We recommend that you wax every other time you shoot your bow to lengthen the life of your string and cable sets.

In the event that a bow must be returned for factory service, a Return Merchandise Authorization (RMA) number must first be obtained for your return product. Bows returned to the factory without an RMA number will not be accepted. Diamond will not be held responsible for any lost product without proper documentation of an RMA number.

The bow owner is responsible for the return prepaid freight to Diamond. No COD shipment will be accepted. Diamond will perform the warranty service required and return the product to the dealer prepaid.

- All methods of shipping by UPS or FED-EX only. Sender should insure all shipments.
- If your bow can't be repaired, we reserve the right to replace the it with a newer model of greater or current market value.
- Diamond reserves the right to substitute any parts required for warranty coverage at its sole discretion.

## EXCLUSIONS

Cables and strings, bearings, paint, hydrographic film and/or other transferred finishes, accessories to include: sights, arrow rests, string silencers, quivers, or any other components included as part of an accessory package.

Damage caused by abuse, mishandling, dry-firing, alteration or modification to original product. Other excluded damages are those resulting from either loose mod screws or shooting arrows less than five grains per pound of draw weight. Damage caused by altered or damaged arrows and/or string dampening material, including original and aftermarket parts, is also excluded.

## LIMITED WARRANTY DISCLAIMER AND LIMITATIONS OF LIABILITY

---

This limited warranty is the sole warranty made by Diamond and, to the extent permitted by law, Diamond makes no other warranties, express or implied.

**TO THE EXTENT PERMITTED BY LAW, DIAMOND EXPRESSLY DISCLAIMS ALL STATUTORY AND IMPLIED WARRANTIES, INCLUDING, WITHOUT LIMITATION, THE WARRANTY OF MERCHANTABILITY AND THE WARRANTY OF FITNESS FOR A PARTICULAR PURPOSE.**

If such implied warranties cannot be disclaimed under the law, Diamond limits the duration and remedies of such warranties to the duration and remedies set forth in this limited warranty.

It is agreed that Diamond shall not be liable for incidental, consequential, indirect, special, exemplary, or punitive damages arising out of or relating to this product or the terms of this limited warranty, regardless of a failure of any remedy of its essential purpose. To the extent permitted by law, the exclusive remedy against Diamond for any and all claims, losses, injuries, or damages arising out of or related to this product or the terms of this warranty shall not exceed the price paid for the bow. You have 12 months from the accrual of the cause of action to commence any legal action arising from the purchase or use of your bow.

To the extent any provision of this limited warranty is found to contravene the law of any jurisdiction, the remainder of the warranty shall not be affected thereby.

**DISCLAIMER OF LIABILITY:** By accepting a Diamond product, the buyer agrees to hold harmless Diamond and all associated parties from liability for any damage to persons or property, which may result, for any reason, from the use of this product.

***We encourage you to contact and utilize your local dealer as they can assist you with setting up your bow, tuning, purchases, services and accessories. To locate the dealer nearest you, visit [Diamondarchery.com](http://Diamondarchery.com) and click on the "Dealer Locator" button. Frequently asked questions and additional contact information can also be found at [Diamondarchery.com](http://Diamondarchery.com).***

601 W 6th St • Houston, TX 77007  
[Diamondarchery.com](http://Diamondarchery.com)

Every effort has been made to ensure the accuracy of information and typographical content within our owner's manual. Diamond reserves the right to modify and/or discontinue products shown without notice and at its discretion. © 2026 Diamond. All rights reserved.